

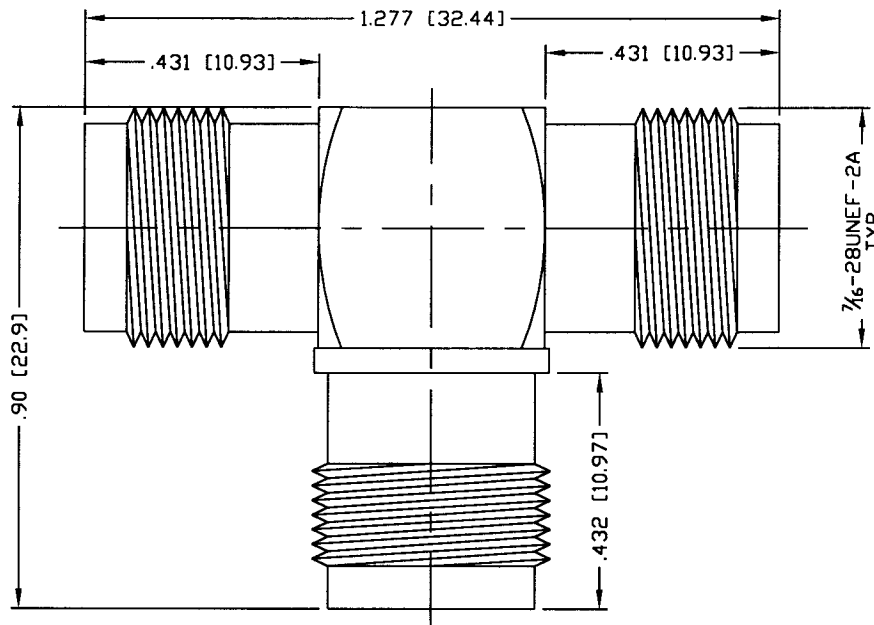
THIS DRAWING CONTAINS INFORMATION PROPRIETARY TO RF INDUSTRIES.  
 ANY UNAUTHORIZED USE OF THIS DRAWING IS EXPRESSLY PROHIBITED  
 WITHOUT WRITTEN PERMISSION FROM RF INDUSTRIES.  
 ANY VIOLATION IS PUNISHABLE UNDER U.S. COPYRIGHT LAWS.

ALL DIMENSIONS ARE REFERENCE ONLY

PART NO.

**RFT-1229**

REV	DESCRIPTION	DWN	DATE	APPROVED
-	ENGINEERING RELEASE	CZS	11/7/03	JDMc



**SPECIFICATIONS:**

IMPEDANCE: 50 Ohms  
 FREQUENCY RANGE: 0-7 GHz  
 WORKING VOLTAGE: 500 V rms @ sea level  
 INSULATION RESISTANCE: 5k M ohms min.  
 TEMPERATURE RANGE: -65°C TO +165°C

#	DESCRIPTION	QTY	MATERIAL	FINISH	APPROVALS	DATE
1	BODY	1	BRASS	NICKEL, 100μ"		
2	PRESS BODY	1	BRASS	NICKEL, 100μ"		
3	CONTACT	1	BRASS	GOLD, 3μ"		
4	CONTACT	1	BRASS	GOLD, 3μ"		
5	INSULATOR	3	PTFE	---		
6	PRESS WASHER	2	BRASS	NICKEL, 100μ"		
7						
8						
9						
10						
11						
12						
13						
14						

000000		UNLESS OTHERWISE SPECIFIED:	
DRAWN C. ZUNIGA		11/7/03	
CHECKED <i>[Signature]</i>		11-7-03	
ORJ DRAWN C. ZUNIGA		11/7/03	
DIMENSIONS ARE IN INCHES AND [MILLIMETERS]		UNLESS OTHERWISE NOTED	
TOLERANCES ARE:		DECIMALS	
		DIAMETER	

**RF connectors**  
 DIVISION OF RF INDUSTRIES, LTD.  
 7610 MIRAMAR RD  
 SAN DIEGO, CA 92126  
 (858) 549-6340  
 (858) 549-6345 FAX

**TNC TRIPLE JACK**

"T" ADAPTER

SIZE A	CABLE GROUP N/A	DWG NO. RFT-1229	REV -
SCALE: NTS		CAD FILE OUTLINE	SHEET 1 OF 1